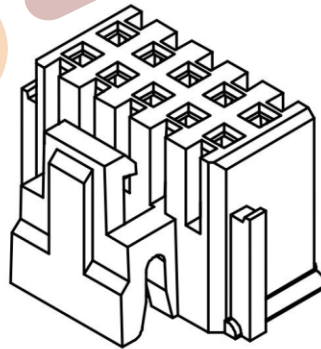
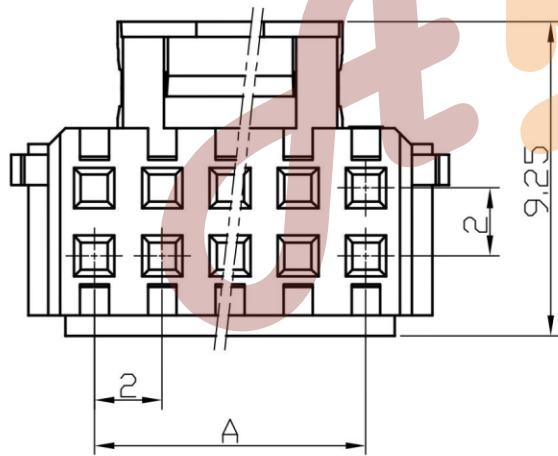
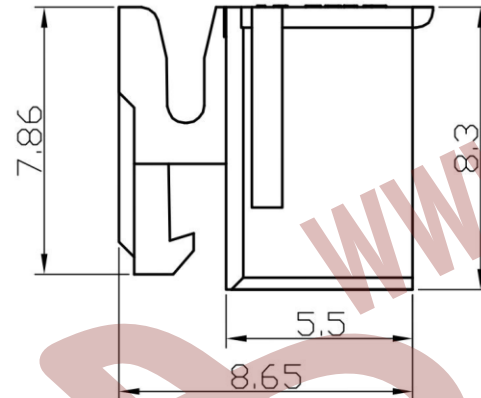
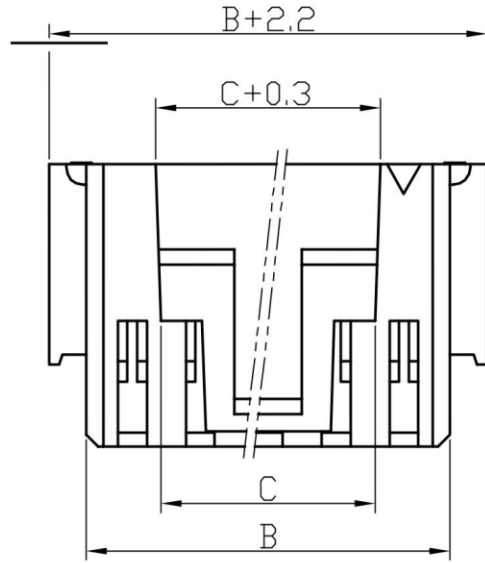


PHSD



Poles	Part No.	Dimensions mm		
		A	B	C
4	PHSD-2×2Y	2.00	4.70	2.80
6	PHSD-2×3Y	4.00	6.70	3.10
8	PHSD-2×4Y	6.00	8.70	4.00
10	PHSD-2×5Y	8.00	10.70	6.00
12	PHSD-2×6Y	10.00	12.70	8.00
14	PHSD-2×7Y	12.00	14.70	6.00
16	PHSD-2×8Y	14.00	16.70	8.00
18	PHSD-2×9Y	16.00	18.70	14.00
20	PHSD-2×10Y	18.00	20.70	8.00
22	PHSD-2×11Y	20.00	22.70	14.00
24	PHSD-2×12Y	22.00	24.70	8.00
26	PHSD-2×13Y	24.00	26.70	14.00
28	PHSD-2×14Y	26.00	28.70	16.00
30	PHSD-2×15Y	28.00	30.70	14.00
32	PHSD-2×16Y	30.00	32.70	16.00
40	PHSD-2×20Y	38.00	40.70	14.00
50	PHSD-2×25Y	48.00	50.70	16.00
--	--	--	--	--
60	PHSD-2×30Y	58.00	60.70	16.00

AsA WWW.AsA-Elec.com
Electronic

AsA Electronic Co.

Tel : (+98) 21 66 73 56 82 Mob : (+98) 912 03 161 02

X.° ±3° X. X° ±0.5°

>0-3	>3-18	>18-50	>50-120
±0.12	±0.15	±0.3	±0.5

Design Units	SIZE	
METRIC	A4	
Part No		
PHSD-2×NY		